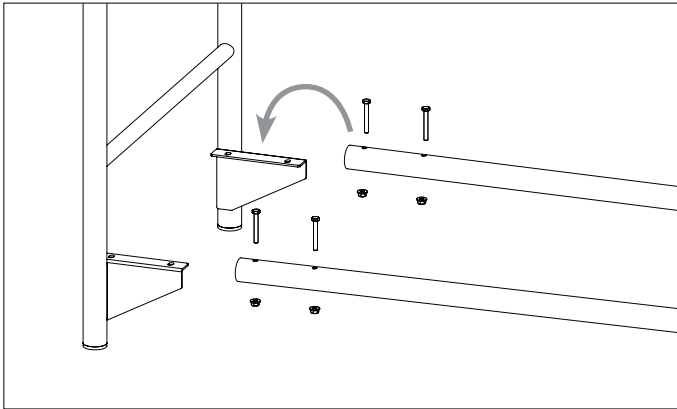
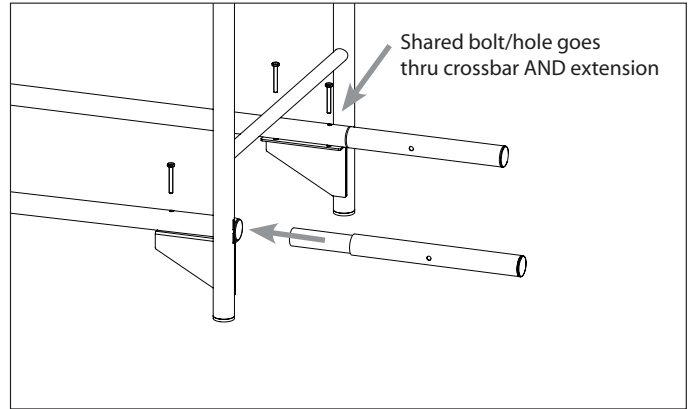


Parts List

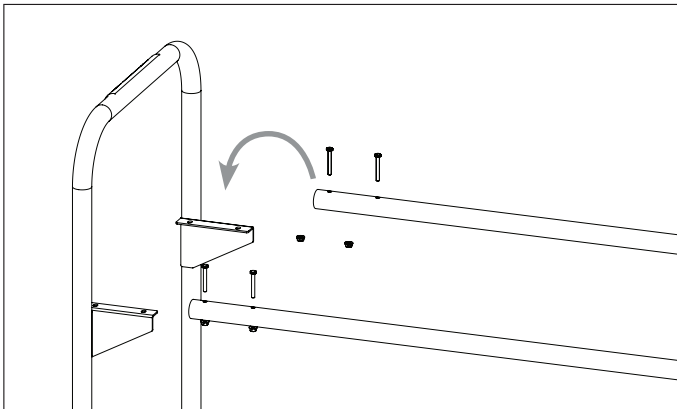
- (4) - Casters (2) Locking
- (18) - 1/4"-20x2 Hex Bolts
- (18) - 1/4"-20x2 Hex Nuts
- (18) - 1/4" Washers



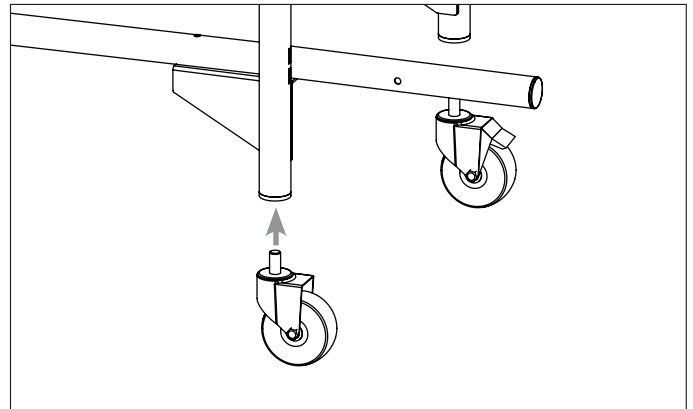
- 1.** Locate crossbars with open end (no caps) and install on **BOTTOM** brackets of uprights. Repeat for other side.
 NOTE: Crossbar brackets face inward of rack.



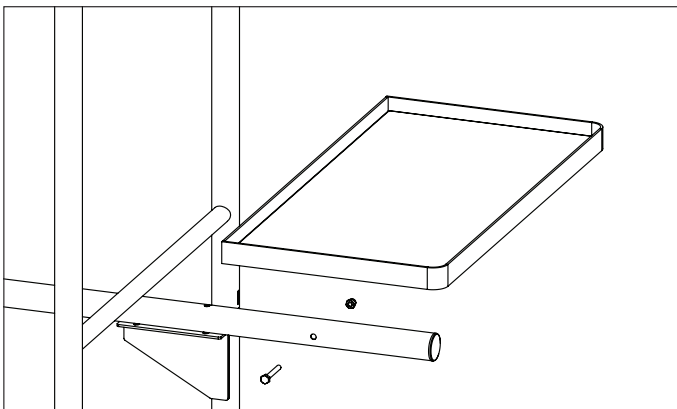
- 2.** Insert extension bars into bottom open ended crossbars.
 NOTE: Extension bars share outside hole/bolt with bottom crossbars.



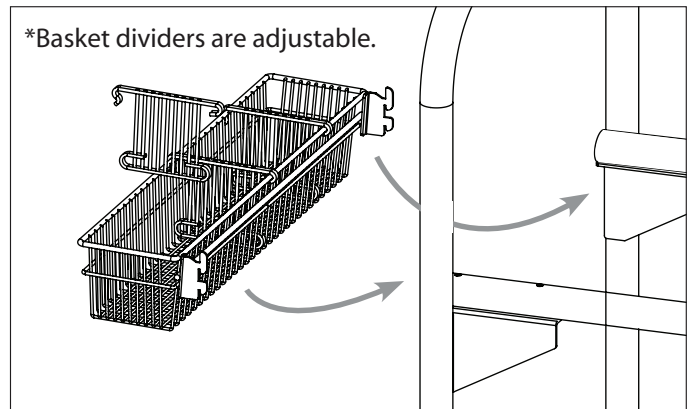
- 3.** Install 2 remaining crossbars on top of uprights. Repeat for both sides.



- 4.** Once frame is complete, thread casters into bottom of uprights. Place locking casters on opposite sides.



- 5.** Apply large flat shelf onto extension bars. Secure to extension crossbars under shelf with hardware provided.



- 6.** Insert basket shelves into each side of the unit.