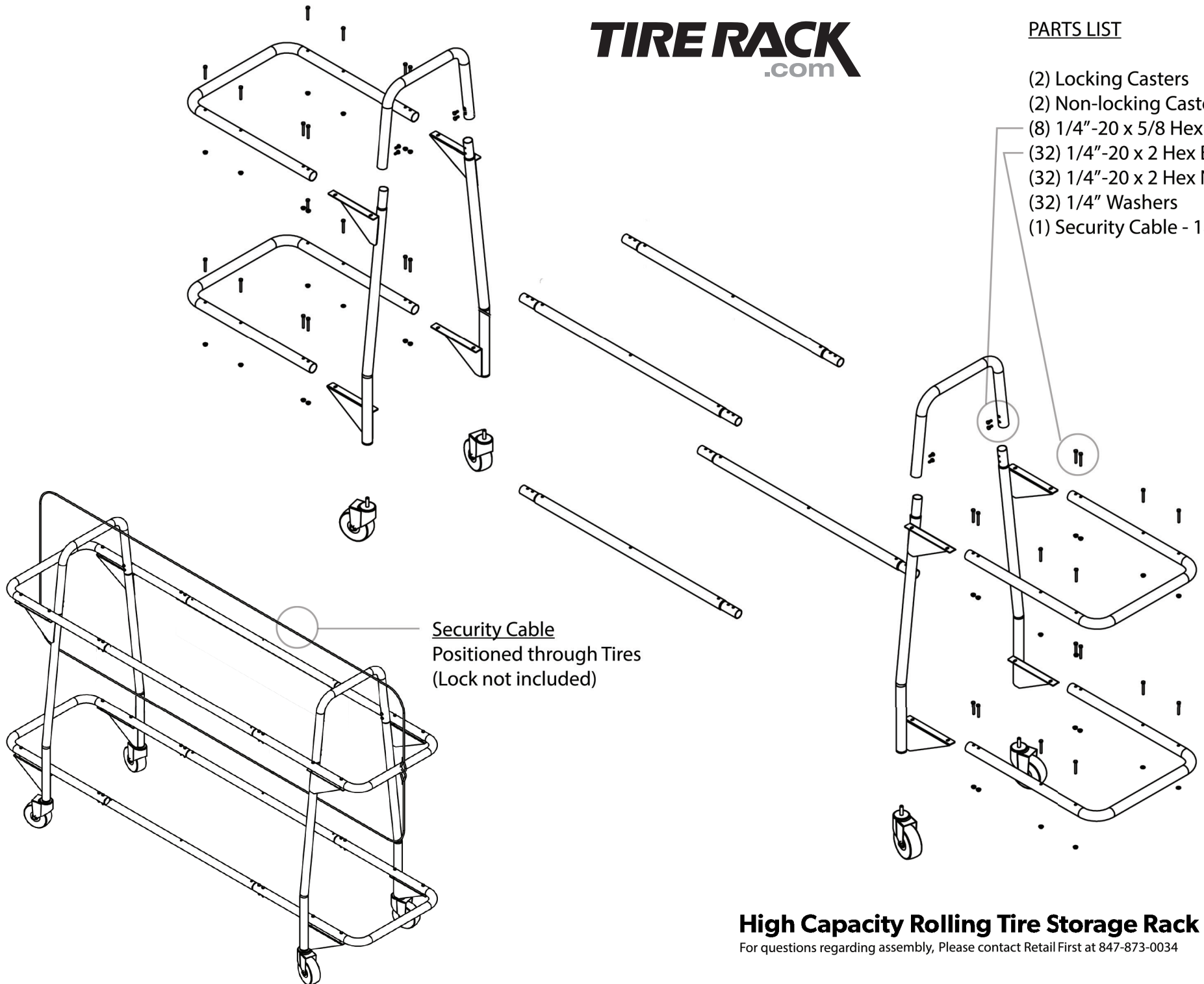


PARTS LIST

- (2) Locking Casters
- (2) Non-locking Casters
- (8) 1/4"-20 x 5/8 Hex Bolts
- (32) 1/4"-20 x 2 Hex Bolts
- (32) 1/4"-20 x 2 Hex Nuts
- (32) 1/4" Washers
- (1) Security Cable - 18.5'



High Capacity Rolling Tire Storage Rack

For questions regarding assembly, Please contact Retail First at 847-873-0034